



# ACCENDO LIGHTING



## ILLUMINATION

- Long-life, efficient ultra-bright white LED lamp heads.
- 1 watt (8 LEDs x 0.125 watt) per head.
- High-performance, chrome-plated metallized reflector and plastic lens for optimal light distribution.
- Two fixed or adjustable LED lamp heads provide optimal center-to-center spacing.

## ELECTRICAL

- Dual 120/277 voltage.
- Charge rate/power "ON" LED indicator light and push-to-test switch for mandated code compliance testing.
- 3.6V long-life, maintenance-free, rechargeable NiCd battery.
- Internal solid-state transfer switch automatically connects the internal battery to LED lamp heads for minimum 90-minute emergency illumination.
- Fully automatic solid-state, two-rate charger initiates battery charging to recharge a discharged battery in 24 hours.

## MOUNTING

- Surface mount via easy connect back plate, which fits most standard junction boxes and snaps into place making internal electrical connections.
- Suitable for wall or ceiling mount.

## HOUSING

- Injection-molded, engineering-grade, 5VA flame retardant, high-impact resistant, thermoplastic in white or black finish.

## WARRANTY/LISTING

- Five year warranty on all electronics and housing. Battery pro-rated for five years.
- Meets UL924, NFPA 101 Life Safety Code, NEC, OSHA, Local and State Codes.
- UL listed for damp locations. (0°C – 50°C)

## DIMENSIONS

## Ordering Information

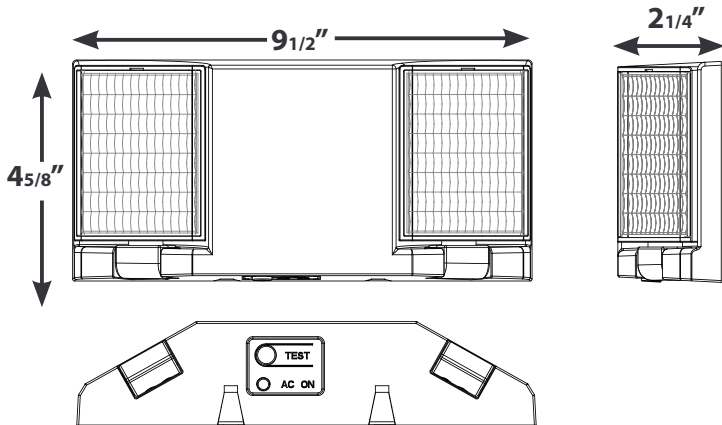
ALBE-LED

Housing Color
Blank - White
B - Black



# ALBE-LED LED Emergency Light

## Dimensions:



## ELECTRICAL INFORMATION

Catalog Number	Input Watts (W)		Input Amps (A)	
	120V	277V	120V	277V
LEDR-2	2.1	2.1	0.025	0.01

## CENTER-TO-CENTER SPACING GUIDELINES

For reference only.

UNIT  
LOCATION  
LIGHT SOURCE

1	0.03	0.04	0.06	0.06	0.08	0.12	0.18	0.24	0.24	0.30	0.36	0.33	0.34	0.37	0.43	0.45	0.49	0.52	0.36	0.36	0.18	0.10	0.07	0.04
2	0.03	0.04	0.06	0.07	0.11	0.20	0.40	0.03	0.60	0.55	0.48	0.46	0.45	0.58	0.80	1.35	1.39	1.04	0.57	0.47	0.32	0.13	0.09	0.06
3	0.03	0.04	0.06	0.10	0.11	0.33	0.79	1.11	1.34	1.36	0.92	0.60	0.47	0.92	1.72	1.87	1.61	1.05	0.61	0.52	0.33	0.24	0.10	0.05
4	0.03	0.04	0.06	0.10	0.18	0.37	0.69	1.07	1.53	1.71	1.52	1.02	0.53	1.20	1.65	1.65	1.33	0.87	0.57	0.50	0.34	0.20	0.09	0.05
5	0.03	0.04	0.06	0.09	0.16	0.31	0.58	0.91	1.22	1.44	1.41	1.00	0.45	0.72	1.05	1.00	0.78	0.55	0.34	0.24	0.20	0.12	0.07	0.05
6	0.03	0.04	0.06	0.07	0.10	0.19	0.33	0.53	0.84	0.94	0.92	0.61	0.33	0.39	0.53	0.53	0.44	0.28	0.27	0.20	0.15	0.10	0.06	0.03
	12	11	10	9	8	7	6	5	4	3	2	1	0	1	2	3	4	5	6	7	8	9	10	11

Meets NFPA101 Requirements for: 14' center-to-center spacing - 3' path of egress 2' from the wall- 7 1/2' mounting height.