



**ACCENDO**  
LIGHTING



**General Description:**

The Accendo Lighting LED strip light is mainly for commercial use and is the ideal replacement for fluorescent T8 and T5HO fixtures. The strip light can be used in warehouses, offices, garages, hallways, walkways, retail shops, and many other commercial applications.

**Features:**

- Easy and secure installation
- End to end mounting and wiring
- Seamless surface mounting application
- Difused light distribution
- Acrylic drop lens that delivers low glare
- ESPEN dimmable driver
- 80% more energy savings compared to traditional lamps
- 5 Year Manufacturer's Warranty

**Certifications and Ratings:**

- IP42
- UL1598
- CCT 4000K to 5000K
- CRI >80
- Operating Temperature -20°C to 50°C
- Efficiency 130LPW+
- Input Voltage AC100-277V @ 50-60Hz
- Power Factor >.98
- Power Supply Efficiency 90%
- Rated Life 50,000Hrs.
- Dimming 0-10V

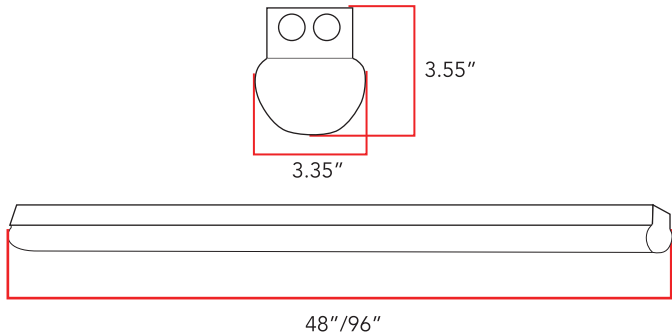
**Ordering Information**

Ordering Example: AL-LED-ST-48-040-40

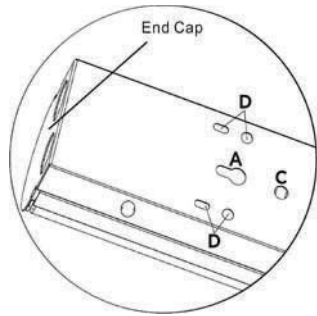
Series	Length	Wattage/Lumens	Kelvin/CCT
AL-LED-ST	48 - 4 foot	040 - 5400lms (4 foot only)	40 - 5000K
	96 - 8 foot	060 - 8400lms (8 foot only)	50 - 5000K



**Dimensions:**



**Mounting Options:**



- A - Keyhole Slots for Surface Mounting
- B - Wiring Knockouts
- C - T-Bar Clip Mounting Hole
- D - V-Hook Openings for Chain Mounting

**Dimming Connection:**

