



ACCENDO
LIGHTING



General Description:

The LED XLS series round HB is a new high efficiency luminaire designed to replace existing HID and fluorescent technologies in a cost effective and customizable feature set. Also available with a wide array of controls to fit your lighting design needs. XLS series fixtures come with a 10-year standard warranty on all luminaire electronics and housing.

Features:

- Available in 3000K (neutral white) through 5000K (cool White) color temperature
- Operating temperatures: -40°C to 50°C
- Open area (OOS), and programmable (FSP) sensor options available, factory installed.
- LED provides a significant energy savings over fluorescent and HID, and providing additional savings every month.

Construction:

- Housing is die-cast aluminum which provide excellent thermal management for rapid heat dissipation.
- Electrostatically applied black powder coat finish standard. White Finish option available.
- Clear tempered glass flat lens.

Mounting:

- Easily mount to existing pendant with 1/2" NPT threads. other mounting options include hook, trunion, loop, adjustable cable, 3/4" NPT pendant adapter and quick hang adapter for eye bolts.

Electrical:

- Voltage: 120-277VAC input. Optional 480V.
- Driver: 24VDC Class 2, constant current, electronic power supply factory calibrated to LED modules.
- Dimming: 0-10V dimming is standard.
- LED modules are individually replaceable providing easy serviceability in the field.

Listings:

- ETL Listed to UL1598 and CSA
- IP 65 Driver and IP66 Optical Enclosure
- BAA Compliant

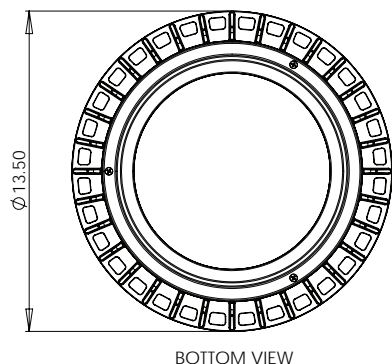
Ordering Information

Ordering Example: ALRHBLED-084W-4000K-DIM-OOSN-HK-15-XLS

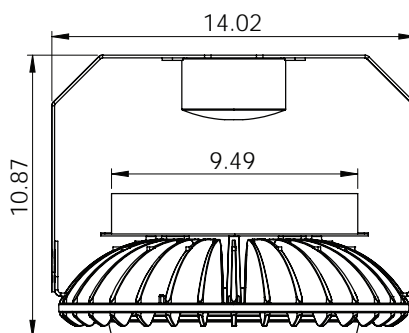
	Wattage/Lumens	CCT	Driver	Options	Series
ALRHBLED	084W - (12176lms) 130W - (18609lms) 194W - (25721lms) 234W - (29441 lms)	3000K 3500K 4000K 5000K	DIM - Dimmable 0-10V, Multi-Volt 120-277V 48D - Dimmable, 347-480V	OOSN - Occupancy Sensor 25-40'H x 20-60' Dia., No Refractor OOSR - Occupancy Sensor 25-40'H x 20-60' Dia., With Refractor FSP2N - Occupancy Sensor 8'H x 40' Dia., No Refractor FSP2R - Occupancy Sensor 8'H x 40' Dia., With Refractor FSP3N - Occupancy Sensor 20'H x 40' Dia., No Refractor FSP3R - Occupancy Sensor 20'H x 40' Dia., With Refractor FSP7N - Occupancy Sensor 40'H x 100' Dia., No Refractor FSP7R - Occupancy Sensor 40'H x 100' Dia., With Refractor HK - Hook TN - Trunion LP - Loop 34 - 3/4" NPT Pendant Adapter ACH - Adjustable Cable Hanger WG - Wire Guard XX - 16/3 SOOW Black Cord, XX length in feet XXPL - 120V 15A Straight Blade Plug with 16/3 SOOW Black Cord, XX length in feet WH - White Finish	XLS



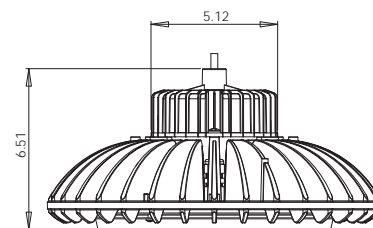
Dimensions:



(Shown with 347-480V Dimming Driver)



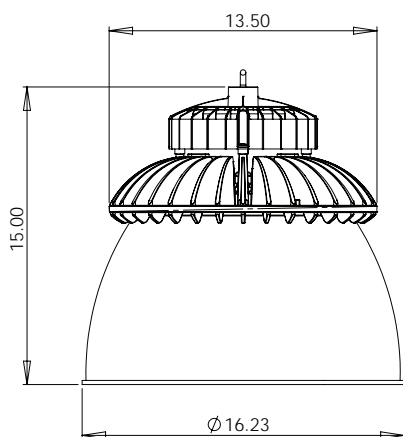
ALRHB-12000L



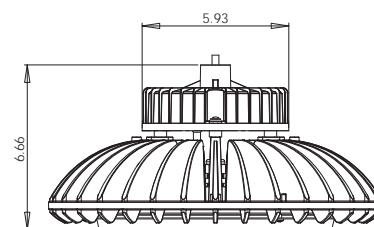
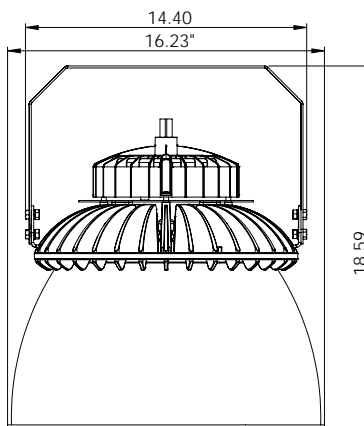
Weight - 15.4 lbs.

ALRHB-18000L

Shown With Reflector
Accessory

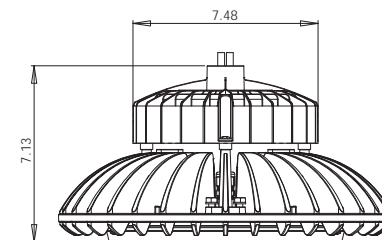


Shown With Reflector Accessory
and Trunnion Mount



Weight - 16.5 lbs.

ALRHB-24000L

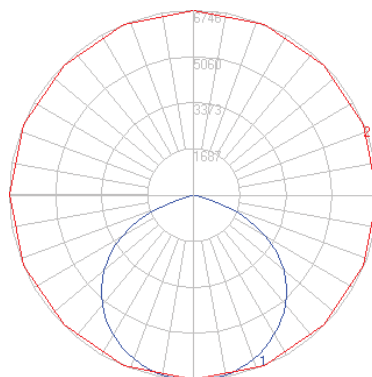


Weight - 17.8 lbs.

PHOTOMETRIC DATA:

ALRHB-18000L-50K-DIM

Catalog Number:
RHB-18000L-50K-DIM
Report Number: ATAL026509.ies
Issue Date: 10/10/18
Lens/Optics: Clear Glass Lens
CCT: 5000K
IESNA: LM-63-2002
Total Input Watts: 130.1
Efficacy (Lm/W): 143.0
Total Lumens: 18609
Prepared by: American Testing & Assessment Laboratory
NOTE: Data shown is absolute for product shown.



Model	CCT	Lumens	System Wattage	Lm/W
84W	3000K	11709	86.7	135.0
	3500K	11073	86.1	128.6
	4000K	12166	86.3	140.9
	5000K	12176	84.6	143.9
130W	3000K	15791	119.5	132.1
	3500K	15002	118.3	126.8
	4000K	18578	134.1	138.5
	5000K	18609	130.1	143.0
194W	3000K	23510	195.4	120.3
	3500K	22444	193.5	115.9
	4000K	25202	198.5	126.9
	5000K	25721	194.6	132.1
234W	5000K	29441	234.3	125.7