



ACCENDO
LIGHTING



Shown with Trunnion Mount

Shown with Slip Fitter Mount & Twist-Lock Receptacle

General Description:

The LED XLS series flood luminaire is a new high efficiency luminaire designed to replace existing HID technologies in a cost effective and customizable feature set. Sleek and contemporary, this luminaire is ideal for illuminating auto dealerships, educational campuses, recreational areas, parking lots, building facades, security lighting, and accent lighting. XLS series fixtures come with a 10-year standard warranty on all luminaire electronics and housing.

Features:

- The XLS Flood easily combines superior photometric performance, advanced thermal management, and an appealing architectural design.
- Mounting options are integrated with an optional NEMA twist-lock receptacle. With complete independence from the luminaire housing, compatible photocells are always oriented correctly without being affected by the luminaire's orientation.
- IP66 rated optics available to compliment any application.
- Backed by industry-leading 10-year warranty.

Construction:

- Housing: One-piece die-cast aluminum has integral heat sink fins to optimize thermal management through conductive and convective cooling.
- The LED driver is mounted in direct contact with the casting to promote low operating temperature and long life.
- Housing is protected with a thermoset TGIC-polyester powder coat finish using a tightly controlled multi-stage process to a uniform 3 mil thickness. This finish provides superior protection from corrosion and maximum environmental durability. Finish available in bronze, white or custom colors (consult factory).
- Impact-resistant glass enclosure protects optics from debris or other contaminants from the environment.
- Operating temperature: -40°C to +50°C (-40°F to +122°F).

Accessories:

- Vandal shield (VFL-VS), wire guard (VFL-WG) and visor (VFL-VR) accessories are available ordered separately.

Electrical:

- Voltage: 120-277V 50/60Hz driver (standard); 347-480V 50/60Hz driver (optional). 0-10V dimming is standard for both.
- Class 1 electronic drivers are designed to have a power factor >90%, THD <20%, and an expected life of 100,000 hours with <1% failure rate.

Optics:

- IP66 rated, precision-molded optics available: 15°, 30°, 60°, 90° or Asymmetric (factory installed).
- Optical grade polymer is UV stabilized and impact resistant.
- Best in class LEDs: 3000K, 4000K, and 5000K CCT (min 70 CRI).
- Lumen maintenance: >100,000hrs L70 @ 25°C.

Approvals:

- ETL Listed. Complies with UL1598 and CSA 22.2 No. 250.0-08
- Suitable for Wet Locations.
- IP66 rated housing and optics.

Ordering Information

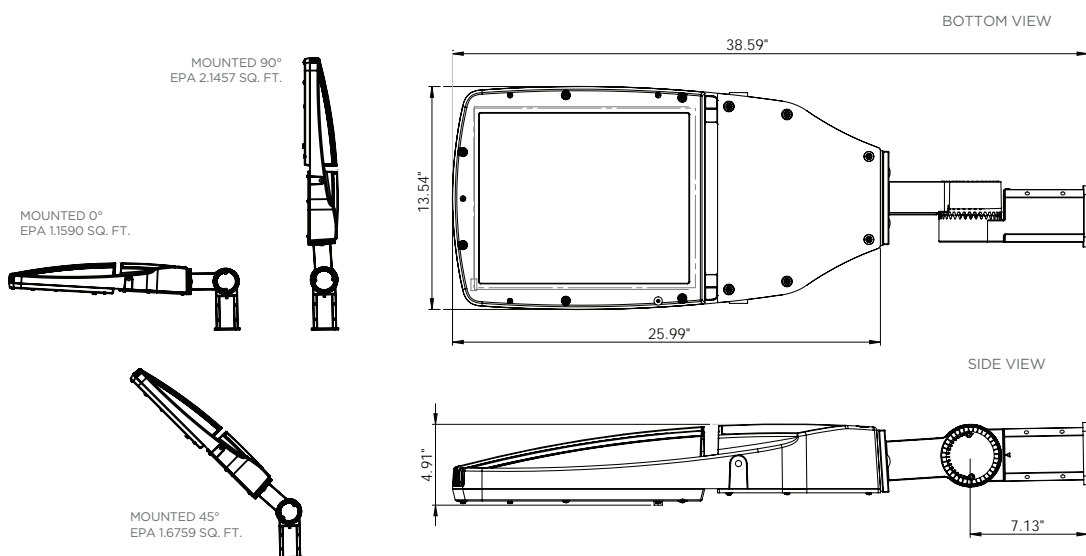
Ordering Example: ALVFLLED-053W-4000K-DIM-BZ-100-5-T-XLS

	Size	Wattage/Normal	CCT	Driver	Finish	Optics	Controls	Mounting	Options	Series
ALVFLLED	L - Large	106W - (14286lms) 140W - (19358lms) 202W - (26940lms) 235W - (30225lms) 286W - (35375lms)	3000K 4000K 5000K	DIM - Multi-Volt120-277V 48D - Dimmable 347-480V	BZ - Bronze WH - White	NO - None 015 - 15° Optic 030 - 30° Optic 060 - 60° Optic 090 - 90° Optic AS - Asymmetric	NO - None 5 - Twist-Lock Receptacle, 5-Pin 7 - Twist-Lock Receptacle, 7-Pin	T - Trunnion S - Adjustable Slip Fitter	TB - Terminal Block	XLS
		Wattage/High Output 135W - (19886lms) 191W - (27174lms) 253W - (33775lms) 282W - (37267lms)								



Dimensions:

Adjustable Slip Fitter Mount Shown



Mounting Options:

ADJUSTABLE SLIP FITTER MOUNT
(WILL MOUNT TO 2" PIPE, 2.38" O.D.)
6 LBS. / EPA .3355 SQ. FT.



TRUNNION MOUNT
(AIM TO ANY ANGLE)
6 LBS. / EPA .2478 SQ. FT.

