



**ACCENDO**  
LIGHTING



**General Description:**

The LED XLS series Vapor Tight Luminaire brings the benefits of gasketed enclosures to industrial and commercial applications. The XLS series VT is designed with an IP67 housing and is suitable for wet locations. The housing is sealed against dust and moisture, and is well suited for areas requiring wash down, food processing, manufacturing, industrial, refrigeration and parking garages. XLS series fixtures come with a 10-year standard warranty on all luminaire electronics and housing.

**Features:**

- Available in 3000K (neutral white) through 5000K (cool white) color temperatures
- Operating temperatures: -40°C to 50°C

**Construction:**

- Weather resistant, corrosion free construction.
- Poured-in-place gasket and cam latches seal the enclosure from most corrosive environments.
- Sealed end holes on either end provide convenient wiring entry points
- High impact polyester, fire retardant fiberglass housing with plastic cam latches.
- Clear cam latches standard (optional stainless steel available).
- Knockouts and end plugs provided for easy wiring access.

**Electrical:**

- Voltage: 120-277VAC input. Optional 480V.
- Driver: 24VDC Class 2, constant current, electronic power supply factory calibrated to LED modules.
- Dimming: 0-10V dimming is standard.
- LED modules are individually replaceable providing easy serviceability in the field.
- Optional supplemental 20kA surge protection.
- IP67 Rated Housing

**Mounting:**

- Surface mount, single look adjustable cable, and chain hang ready.

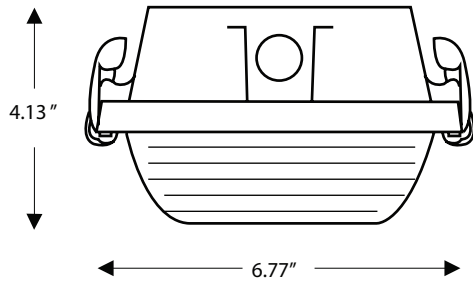
**Ordering Information**

Ordering Example: ALVTLED-4-44W-40K-RCA-EM-XLS

	Housing	Wattage HE	CCT	Driver	LENS	Options	Series	LENGTH & MODEL COMBINATIONS:
ALVTLED	2 - 2 ft. 4 - 4 ft. 8 - 8 ft.	017W - (2159L) 026W - (3371L) 035W - (4319L) 044W - (5268L) 054W - (6002L) 070W - (8638L) 088W - (10536L)	30K 35K 40K 50K	DIM - Dimmable 0-10V, Multi-Volt 120-277V 48D - Dimmable, 347-480V	RCA - Ribbed Clear Acrylic Lens SFA - Smooth Frosted Acrylic Lens RFA - Ribbed Frosted Acrylic Lens	EM - Emergency Battery Back-up WCS - Wet Location O/S MCR - Microwave Sensor FSP2 - Programmable PIR Sensor 8' H/44' D FSP3 - Programmable PIR Sensor 20' H/40' D FSP7 - Programmable PIR Sensor 40' H/100' D SSL - Stainless Steel Latches PND - Pendant Mount 45B - 45° Bracket Mount SRG - 10kV/10kA Supplemental Surge Protection SST - Tamper proof screws with Stainless Steel Latches	XLS	2159L 3371L 4319L 3371L 4319L 5010L 5268L 6002L 8638L 10020L 5268L 6002L 8638L 10020L 10536L 20040L
		Wattage HO						
		030W - (5010L) 060W - (10020L) 120W - (20040L)						

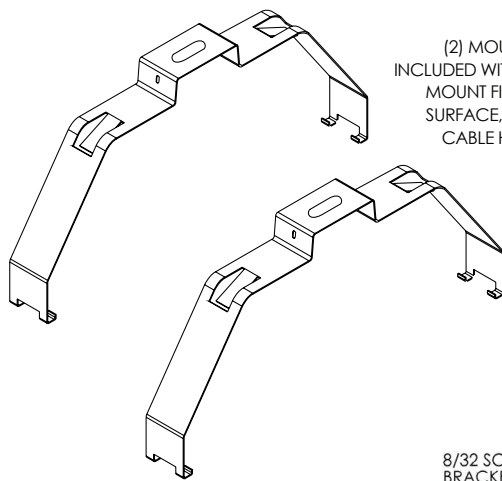
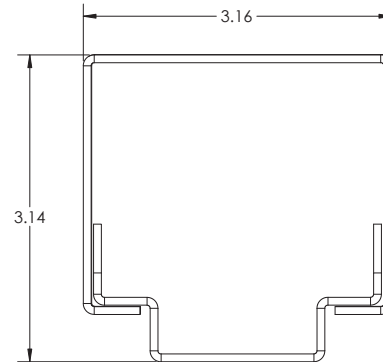
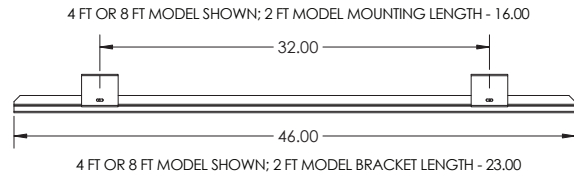


Dimensions:



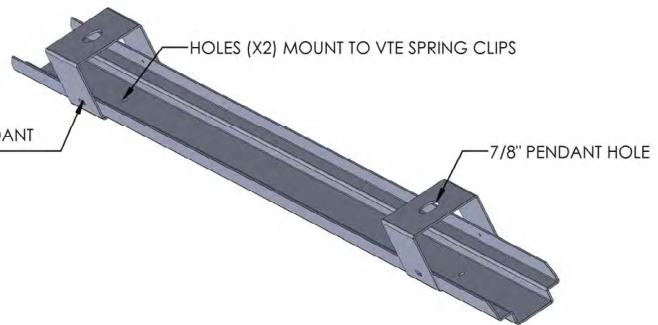
**FIXTURE LENGTHS:**  
 2 FT: 27.75" LONG  
 4 FT: 51.75" LONG  
 8 FT: 100.25" LONG

**Pendant Mount Option Shown**  
 NOTE: POWER CORD REQUIRED



(2) MOUNTING BRACKETS  
 INCLUDED WITH NON-PENDANT  
 MOUNT FIXTURES. USED FOR  
 SURFACE, CHAIN HUNG OR  
 CABLE HUNG MOUNTING

8/32 SCREWS SECURE PENDANT  
 BRACKET TO VTE MOUNT



45° DEGREE BRACKET SHOWN  
 OPTION 45B

