



ACCENDO
LIGHTING



General Description:

The LED XLS series Wallpack is a new high efficiency luminaire designed to replace existing HID technologies in a cost effective and customizable feature set. Solid construction and high quality components make the luminaire a perfect product for use in security applications, building exteriors, wall wash, manufacturing and commercial settings. XLS series fixtures come with a 10-year standard warranty on all luminaire electronics and housing.

Features:

- Energy-efficient replacement for up to 400W HID.
- Decorative yet rugged construction protects internal components from outdoor conditions.
- Significantly improved lumen maintenance over HID.
- Operating temperature: -40°C to +50°C (-40°F to +122°F).
- Additional CCT options available.

Construction:

- Housing is heavy-duty, die-cast aluminum with bronze powder coat finish.
- High impact, heat resistant borosilicate glass lens is hinged, is removable and won't yellow or degrade.
- Silicone gasket is included to prevent leakage and provide weather-tight protection.

Mounting:

- Surface mount ready.

Electrical:

- Voltage: 120-277V 50/60Hz driver (standard).
- Driver: Class 2, constant current, electronic power supply, factory calibrated to LED modules.
- 0-10V dimming standard.
- Optional 10kV/10kA surge protection available.

Optics:

- Uplight (>90°) is less than 7%, significantly reducing wasted light over other commercial models.
 - High angle light (80-90°) is less than 6%.
- Lumen Maintenance: >100,000hrs L90 @ 25°C

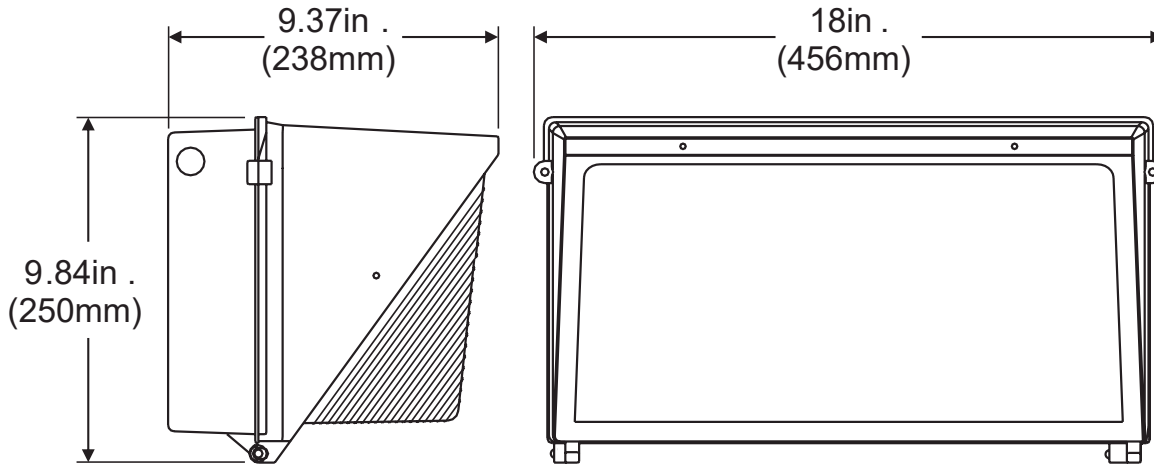
Ordering Information

Ordering Example: ALWPLLED-063W-5000K-DIM-PC-XLS

	Wattage/Lumens	CCT	Driver	Options	Series
ALWPLLED	054W - (6499lms) 063W - (7857lms) 079W - (9239lms)	5000K	DIM - Dimmable 0-10V, Multi-Volt 120-277V 48D - Dimmable, 347-480V	PC - Photocell Button, 120-277V SRG - 20kA Surge Protection	XLS



Dimensions:



Photometrics:

Model	IES Report	BUG Rating	CC T	System Watts	Lumens	Lm/W	ISOLINES (5000K)
6000L	ATAL023961	B2-U3-G3	3000K	54.2	5745	106.0	
	ATAL023962	B2-U3-G3	3500K	53.5	5881	110.0	
	ATAL023963	B2-U3-G3	4000K	53.1	6196	116.7	
	ATAL023965	B2-U3-G3	5000K	53.9	6499	120.6	
7500L	ATAL024311	B2-U3-G3	3000K	63.0	7129	113.2	
	ESTIMATED	B2-U3-G3	3500K	62.8	7252	115.5	
	ESTIMATED	B2-U3-G3	4000K	62.7	7745	123.5	
	ATAL023966	B2-U3-G3	5000K	62.7	7857	125.3	
9000L	ATAL024164	B2-U3-G3	3000K	79.0	8651	109.5	
	ATAL023913	B2-U3-G3	3500K	78.9	8528	108.1	
	ATAL023969	B2-U3-G3	4000K	78.7	9108	115.7	
	ATAL024163	B2-U3-G3	5000K	78.7	9239	117.4	